



BNET-2310M

Multifunction BACnet/IP I/O module

Features

- Read/Write 4AI, 2AO, 4BI, 4BO via BACnet/IP
- Act as BACnet/IP Server
- Support Web-based configuration
- Support to Import/Export configuration file
- High reliability in harsh environments
- DIN-Rail mountable



Introduction

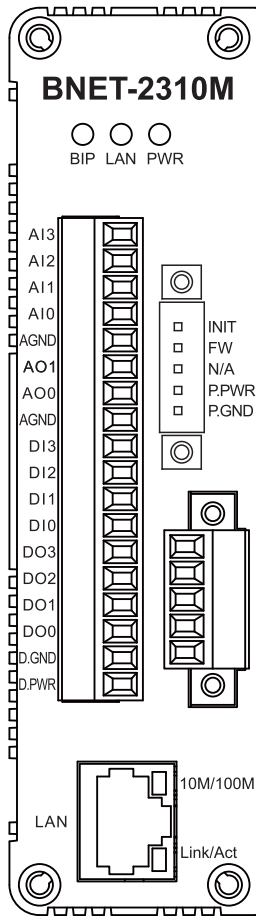
BACnet (Building Automation and Control Network) is a communication protocol specifically designed for building automation and control systems. It was established by the American Society of Heating, Refrigerating, and Air-Conditioning Engineers (ASHRAE) in 1995 and has been adopted by the International Organization for Standardization (ISO) as a standard (ISO 16484-5). BACnet aims to enable interoperability between devices from different manufacturers, particularly those involved in Building Management Systems (BMS), such as HVAC, lighting control, security systems, fire alarms, and more. BACnet supports various transmission media, including IP networks, RS-485, ARCNET, and MS/TP (Master-Slave/Token Passing), making it adaptable to different installation environments. Its ability to integrate and manage multiple devices in automation systems has made it one of the most widely used communication protocols in modern smart buildings.

The BNET-2310M is a multifunctional BACnet/IP IO module, featuring 4 AI channels, 2 AO channels, 4 DI channels, and 4 DO channels. The module contains multiple BACnet objects, including Device, AI, AO, BI, and BO, and supports various BIBBS (such as DS-RP-B, DS-RPM-B, DS-WP-B, DS-WPM, DS-COV-B, etc.). The module has a built-in web server, allowing users to easily and securely configure the module remotely via a web interface.

Wire Connections

| | | |
|----------------|---------------|--|
| Analog Type | Analog Input | |
| | Analog Output | |
| Digital Input | ON state | |
| | OFF state | |
| Digital Output | ON State | |
| | OFF State | |

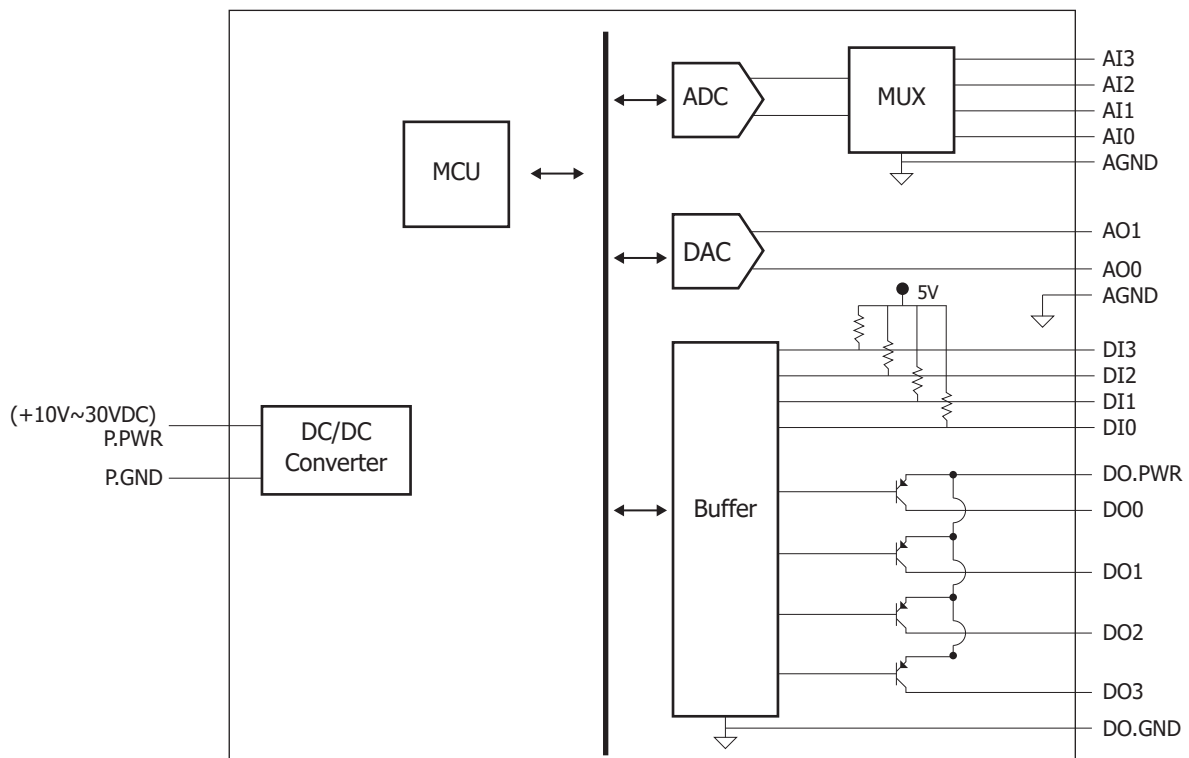
Pin Assignments



| Power Input & Special functionality | |
|-------------------------------------|---|
| Pin | Description |
| INIT | For restoring default account, password, or IP address. Please refer to the user manual |
| FW | For updating the firmware. Please refer to the user manual |
| N/A | Don't care |
| P.PWR | DC Power 10V ~ 30V input |
| P.GND | DC Power GND |

| Digital and Analog IO pins | |
|----------------------------|-------------------|
| Pin | Description |
| AI3 | Analog Input 3 + |
| AI2 | Analog Input 2 + |
| AI1 | Analog Input 1 + |
| AI0 | Analog Input 0 + |
| AGND | Analog Input GND |
| AO1 | Analog Output 1 + |
| AO0 | Analog Output 0 + |
| AGND | Analog Output GND |
| DI3 | Digital Input 3 |
| DI2 | Digital Input 2 |
| DI1 | Digital Input 1 |
| DI0 | Digital Input 0 |
| DO3 | Digital Output 3 |
| DO2 | Digital Output 2 |
| DO1 | Digital Output 1 |
| DO0 | Digital Output 0 |
| D.GND | Power GND for IO |
| D.PWR | DC 10V~30V for IO |

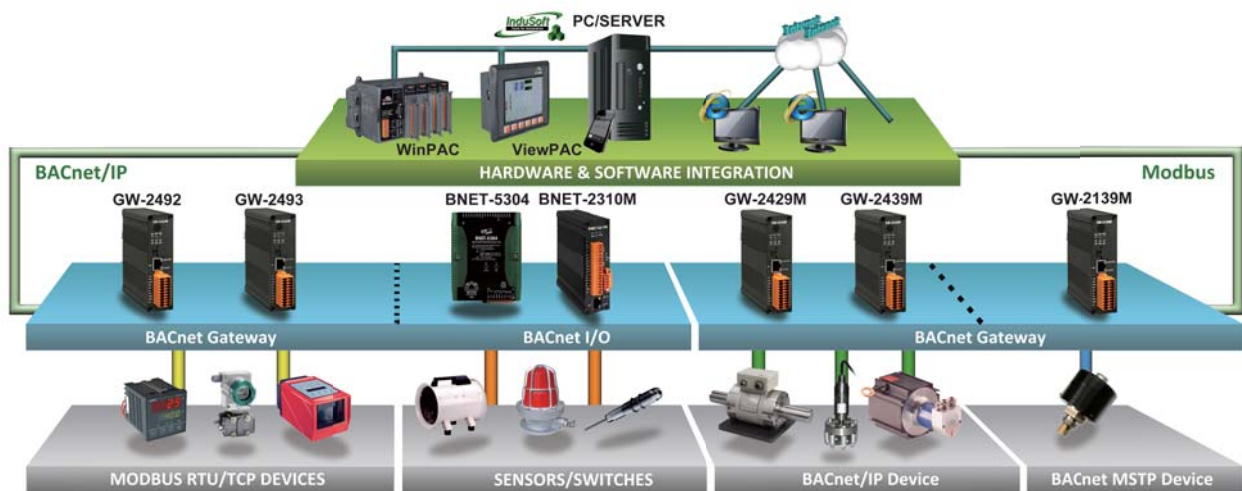
Internal I/O Structure



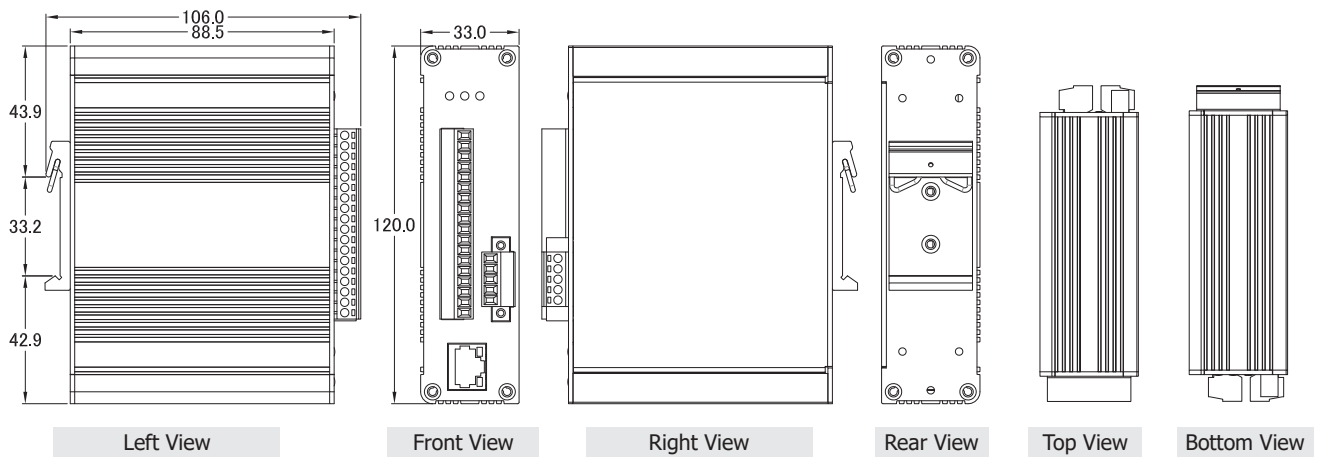
Specifications

| System | |
|----------------------------------|--|
| Ethernet | 10/100 Base-TX |
| Security | ID and Password |
| Built-in Watchdog | Yes |
| LED Indicator | Power, Ethernet and BIP status |
| Protocol | |
| BACnet | BACnet/IP Server |
| BACnet Objects | 1 Device, 4 AI, 2 AO, 4 BI, 4 BO |
| BIBB | DS-RP-B, DS-RPM-B, DS-WP-B, DS-WPM-B, DS-COV-B, DM-DDB-B, DM-DOB-B, DM-DCC-B, DM-TS-B, DM-UTC-B, DM-RD-B |
| Analog Input | |
| Channel | 4 Single-Ended |
| Range | $\pm 1\text{ V}$, $\pm 2.5\text{ V}$, $\pm 5\text{ V}$, $\pm 10\text{ V}$, |
| Resolution | 16-bit |
| Sampling Rate | 10Hz |
| Accuracy | $\pm 0.1\%$ |
| Over Voltage Protection | 120 VDC |
| Individual Channel Configuration | Yes |
| Analog Output | |
| Channel | 2 |
| Type | Voltage |
| Range | 0 V ~ +5 V, $\pm 5\text{ V}$, 0 V ~ +10 V, $\pm 10\text{ V}$ |
| Resolution | 12-bit |
| Accuracy | $\pm 0.1\%$ |
| Voltage Output Capability | 20 mA @DC10V |
| Current Load Resistance | 500 Ω |
| Individual Channel Configuration | Yes |
| Digital Input | |
| Channel | 4 |
| Type | Dry Contact |
| Sink/Source | Source(PNP) |
| On Voltage Level | Close to GND |
| Off Voltage Level | Open |
| Overvoltage Protection | 60 VDC |
| Individual Channel Configuration | Yes |
| Digital Output | |
| Channel | 4 |
| Type | Source(PNP) |
| Load Voltage | +10 VDC ~ 40 VDC |
| Max. Load Current | 650 mA/channel |
| Overvoltage Protection | 47 VDC |
| Overload Protection | Yes |
| Short-circuit Protection | Yes |
| Environmental | |
| Dimensions (W x L x D) | 33mm x120mm x 106mm |
| Operating Temp. | -25 ~ +75 °C |
| Storage Temp. | -30 ~ +85 °C |
| Humidity | 10 ~ 90% RH, Non-condensing |
| Power Input Range | +10 VDC ~ +30VDC |
| Power Consumption | 3.6W (0.15A @ 24VDC) |

Applications



Dimensions (Units: mm)



Ordering Information

| | |
|----------------------|---|
| BNET-2310M CR | Multifunction BACnet/IP I/O module with 4-ch AI, 2-ch AO, 4-ch DI, and 4-ch DO (RoHS) |
|----------------------|---|