



iSN-713-MRTU

Three-axis vibration sensor module (RS-485)

Features

- 3-axis MEMS vibration measurement
- Suitable for low frequency vibration measurement
- Support Modbus RTU slave protocol
- Data Format:
 - Acceleration: RMS, Maximum, P-P
 - Velocity: RMS
 - Displacement: P-P
 - Crest Factor
 - Top 20 spectrum values(Magnitude/Frequency)
- Vibration eigenvalues threshold alarm function

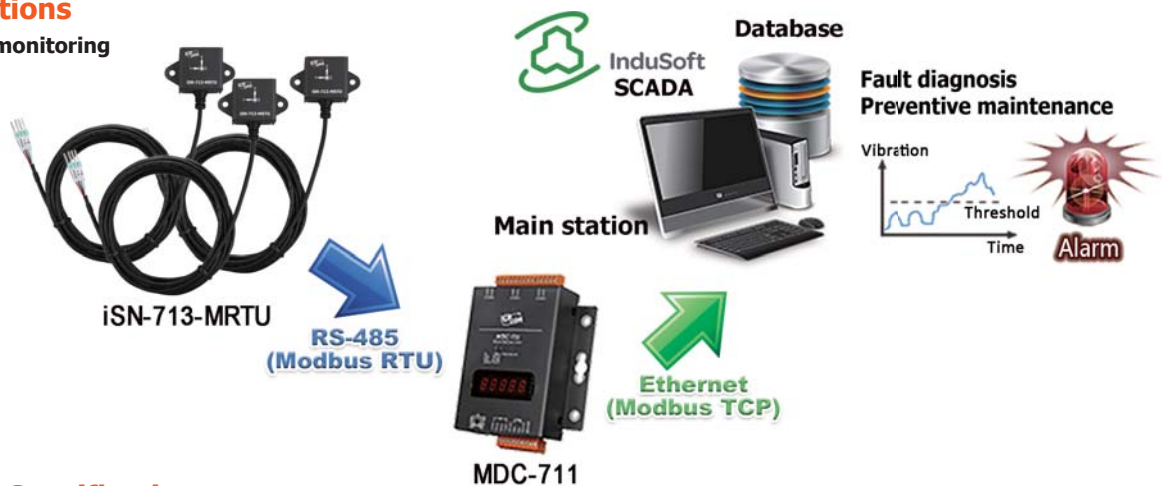


Introduction

The iSN-713-MRTU module is a three-axis vibration detection device. It has a built-in MEMS accelerometer, so it can easily realize equipment vibration monitoring. The module supports one RS-485 communication interface with Modbus RTU slave protocol, the user can transmit Modbus RTU commands to read the sensor's data by RS-485 interface. The iSN-713-MRTU is suitable for real-time vibration detection in critical locations for factory monitoring applications, such as production line equipment, motors, and pumps, etc., where there is a need to monitor any vibration application.

Applications

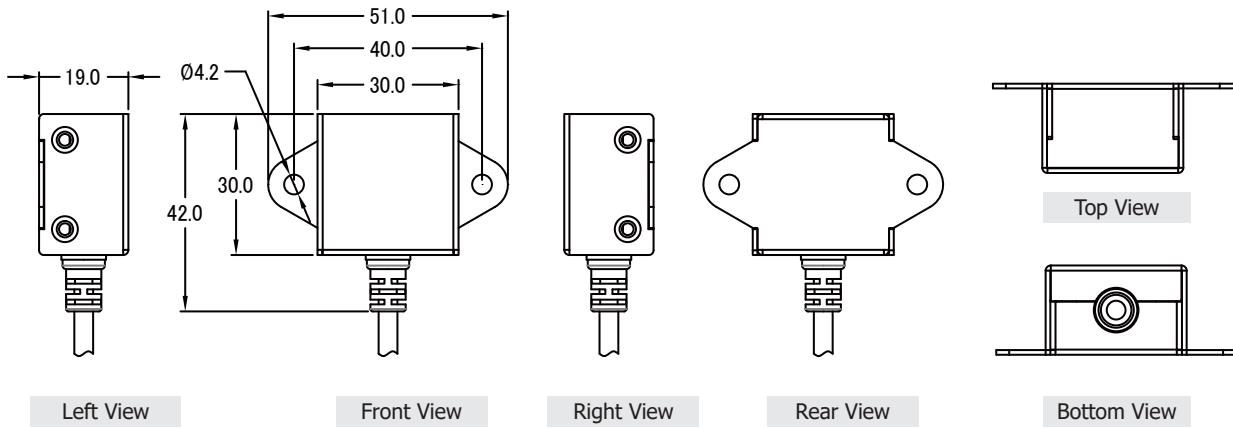
Vibration monitoring



System Specifications

Vibration Measurement	
Sensor Type	3-axis MEMS
Amplitude Range	±8g
Frequency Range	6 Hz to 1K Hz
COM Ports	
Ports	1 x RS-485(D+, D-)
Baud Rate	9600, 19200, 38400, 57600, 115200 bps
Protocol	Modbus RTU
Power	
Input Range	+10 ~ +30 VDC
Consumption	0.35 W@24VDC
Mechanical	
Dimensions (mm)	51 x 30 x 19 (W x L x H)
Installation	Wall-mount or magnet adsorption
Environment	
Operating Temperature	-25 °C ~ +75 °C
Storage Temperature	-30 ~ +80°C
Humidity	10 ~ 95% RH, Non-condensing

■ Dimensions (Units: mm)

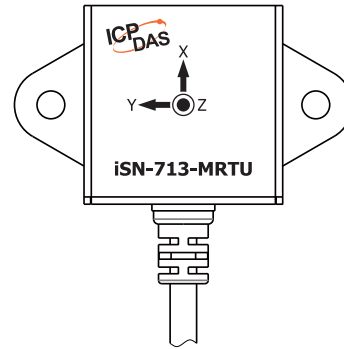


■ Pin Assignments

Power and RS-485 Connector

CONN	COLOR	Pin Assignment
1	White	D-
2	Red	VCC
3	Black	GND
4	Green	D+

■ Appearance



■ Ordering Information

iSN-713-MRTU CR	Three-axis vibration sensor module (RS-485)(RoHS)
------------------------	---